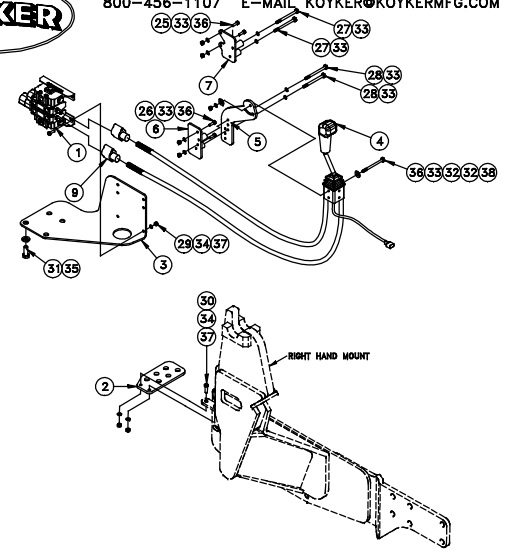


672808 2 SPOOL PLUMBING KIT FOR CASE-IH MXM120-MXM130-MXM140-MXM155  
 672808 2 SPOOL PLUMBING KIT FOR NEW HOLLAND TM115-TM120-TM125-TM130-TM135-TM140-  
 TM150-TM155-TM165



KOYKER MANUFACTURING CO., LENNOX SD  
 800-456-1107 E-MAIL KOYKER@KOYKERMFG.COM



KEY	PART NO.	DESCRIPTION	QTY.
	#956	HARDWARE BAG	1
25	655550	TRUSS HEAD SCREW; 5/16" x 3/4"	2
26	640016	HH CAP SCREW; 5/16" x 1"	2
27	669618	HH CAP SCREW; 5/16" x 3 1/2"	2
28	655850	HH CAP SCREW; 8MM x 1.25 PITCH x 70MM	2
29	640028	HH CAP SCREW; 3/8" x 1"	4
30	640032	HH CAP SCREW; 3/8" x 1 1/4"	2
31	656317	HH CAP SCREW; 18MM x 1.5 PITCH x 40MM	4
32	640152	FLATWASHER; 5/16"	4
33	640151	LOCKWASHER; 5/16"	10
34	640153	LOCKWASHER; 3/8"	6
35	640162	LOCKWASHER; 3/4"	4
36	652360	HEXNUT; 5/16"	6
37	640132	HEXNUT; 3/8"	6
38	655249	HH CAP SCREW; 5/16" x 4"	2

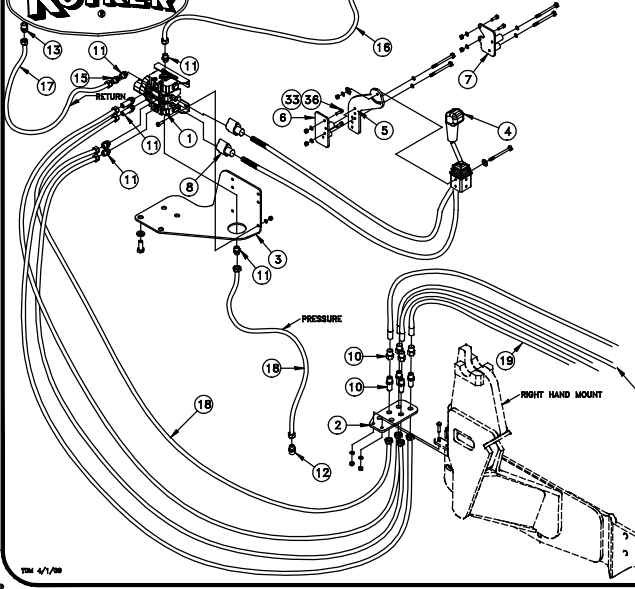
NOTE: 1. USE HOSE WRAP AND TIES TO SECURE HOSES TOGETHER.  
 2. HOSE KIT IS ONLY COMPATIBLE WITH FACTORY JOYSTICK OPTION WITH LOAD SENSE VALVE.  
 3. USE COUPLER PLUGS TO COVER QUICK COUPLER ENDS WHEN UNATTACHED.  
 4. PART #7 IS USED ONLY ON THE OLDER GENERATION TRACTORS AND PART # 6 USED ON THE NEWER GENERATION TRACTORS.

TM 4/1/99

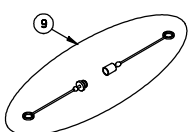
672808 2 SPOOL PLUMBING KIT FOR CASE-IH MXM120-MXM130-MXM140-MXM155  
 672808 2 SPOOL PLUMBING KIT FOR NEW HOLLAND TM115-TM120-TM125-TM130-TM135-TM140-  
 TM150-TM155-TM165



KOYKER MANUFACTURING CO., LENNOX SD  
 800-456-1107 E-MAIL KOYKER@KOYKERMFG.COM



KEY	PART NO.	DESCRIPTION	QTY.
1	668962	2 SPOOL VALVE (LOAD SENSING)	1
2	672858	COUPLER PLATE	1
3	673039	VALVE PLATE	1
4	683153	JOYSTICK CABLE CONTROL KIT W/59" CABLES	1
5	673015	JOYSTICK HANDLE PLATE	1
6	673016	JOYSTICK HANDLE BRACKET ADAPTER	1
7	673818	JOYSTICK HANDLE BRACKET ADAPTER	1
8	669298	CABLE CONNECTOR KIT	2
9	673956	COLOR COUPLER PLUG KIT	1
10	673740	QUICK COUPLER SET	4
11	659838	ADAPTER; 8MJX-100RM	5
12	672888	ADAPTER; 8MJX-22MM-1.5 ORM (PRESSURE PORT)	1
13	672889	ADAPTER; 8MJX-27MM-2.0 ORM (RETURN PORT)	1
14	673052	ADAPTER; 8MJX-100RM (1" LONG)	2
15	663205	ADAPTER; 8MJX-8MJX 90 DEG.	1
16	673019	18" HYDRAULIC HOSE (LOAD SENSE)	1
17	673051	48" HYDRAULIC HOSE (RETURN LINE)	1
18	659830	58" HYDRAULIC HOSE (PRESSURE LINE)	5
19	673909	72" HYDRAULIC HOSE	4
	669686	36" HOSE WRAP	1
	663708	JOYSTICK DECAL	1
	#956	HARDWARE BAG	1



TOP VIEW OF WORKING PORTS ON THE VALVE  
 MAKE SURE TO LABEL LOWER  
 SHAP-8 1/2" RETURN  
 RETURN OUT  
 LOADER SENSE IN  
 PRESSURE IN  
 NOTE: MODIFICATIONS MAY BE NEEDED AS NECESSARY.  
 1. VALVE IS SHIPPED LOAD SENSE CLOSED CENTER.

TM 4/1/99