

OWNER'S MANUAL

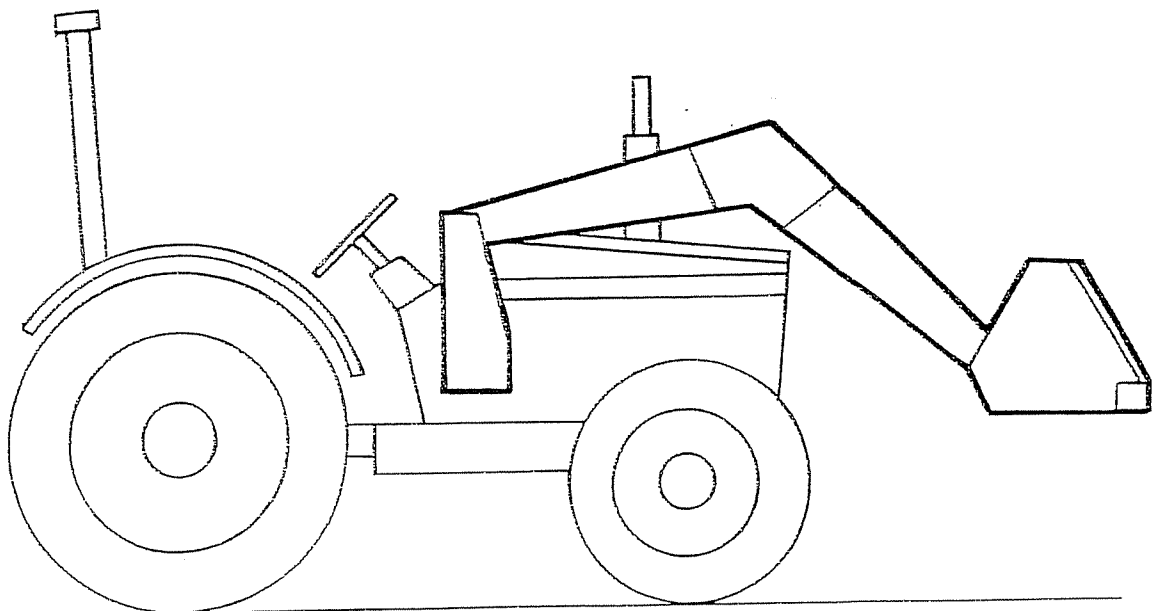
04-25-94 REV
No. 651034

KOYKER[®]

K-5

LOADER

"Fast Attaching"



IMPORTANT - KOYKER DEALER

Be sure this manual is given to the purchaser for his future reference.

KOYKER MANUFACTURING CO., LENNOX, S.D.



This Symbol Means "CAUTION" Stay Alert! Watch For It.

CONTENTS

| | Page |
|---|-------|
| TO THE PURCHASER | 2 |
| HISTORY | 2 |
| WARRANTY..... | 3 |
| CYLINDER WARRANTY..... | 3 |
| SPECIFICATIONS..... | 4 |
| IDENTIFICATION AND DESCRIPTION OF BASIC LOADER..... | 5 |
| OPERATION | 6 |
| TRACTOR AND SAFETY POINTERS..... | 7 |
| CONTROLS..... | 8 |
| DETACHING – ATTACHING THE K-5 LOADER | 9 |
| LUBRICATION | 10 |
| CYLINDERS | 11 |
| CYLINDER SERVICE KITS | 12-13 |
| CYLINDER GLAND SERVICE DIAGRAM | 14 |
| CYLINDER PISTON SERVICE DIAGRAM | 14 |
| KOYKER HYDRAULIC CYLINDER | |
| Assembly Diagram..... | 15 |
| Parts List..... | 16 |
| HYDRAULICS..... | 17 |
| ADJUSTABLE LOADER VALVE MOUNTING KIT | 18 |
| LOADER PARTS DRAWING AND PARTS LIST | 19-20 |
| KOYKER K-5 LOADER PARTS LIST..... | 21 |
| FASTENER CHART | 22 |
| ASSEMBLY INSTRUCTIONS K5 BUCKET POSITION INDICATORS | 23 |
| OPTIONAL EQUIPMENT | 24 |

HISTORY

During a considerable period of time, the Koyker Manufacturing Company of Lennox, South Dakota, made a study of the farm loader industry and concluded that the farmer needs a loader that provides fast attachment, quality, dependability, few parts, ruggedness, good delivery, and ease of maintenance, all at a fair price. The fast attaching "K-5" farm loader has achieved these goals.

With proper care and handling, it will give many years of good service in normal farm operations.

Please be sure to follow the manual and give it proper care.

TO THE PURCHASER

You have purchased an excellent product. With proper care and use, it will give you years of good, safe service. Use only KOYKER or KOYKER approved parts in the general maintenance and repair of your equipment. *Please fill out ownership registration card as soon as possible.*

WARRANTY

Koyker Manufacturing Company (Koyker) warrants to the original purchaser only that the goods manufactured by KOYKER are free from defects in material and workmanship under normal use and service and when properly installed for a period of one (1) year from the date of purchase. Any defective part or component must be returned to the factory at the purchaser's expense for inspection by KOYKER. The obligation of KOYKER is limited to repairing or replacing at its factory any part or component determined to its satisfaction to be defective. ***KOYKER shall not be liable for incidental or consequential damages.*** All transportation charges shall be paid by purchaser. Purchaser must notify KOYKER of a claim by registered or certified mail, return receipt requested, within thirty (30) days after discovery or claim shall be deemed waived.

This Warranty is expressly in lieu of all other warranties, expressed or implied, including any implied warranty of merchantability or fitness for a particular purpose. No warranty is given by KOYKER for parts, components, or trade accessories furnished by KOYKER but not manufactured by it. They are covered by the warranty of their manufacturer, if any. No person, firm or corporation including the selling dealer is authorized to assume for KOYKER any other liability in connection with the sale of these goods.

User shall notify KOYKER in writing, within thirty (30) days, of any accident or occurrence involving KOYKER products resulting in personal injury or property damage and shall cooperate fully with KOYKER in investigating and determining the cause of such accident or occurrence. In the event that user fails to give such notice to KOYKER and so cooperate, user agrees to indemnify and save KOYKER harmless from all loss or damage arising from such accident or occurrence.

CYLINDER WARRANTY

All cylinder claims shall be handled by KOYKER dealers or distributors. All hydraulic cylinders are thoroughly inspected before shipment from factory. Therefore, no claim can be granted where a cylinder has been damaged or abused (including, but not limited to, bent tubes, dents, nicks, abused threads, attempted alterations, or welding), not unless made to KOYKER within one (1) year from sale to original purchaser.

Any defective cylinder reported to KOYKER within one (1) year from sale by dealer to original purchaser will be replaced after proper inspection by KOYKER. In such case, notify your KOYKER dealer and he will give you proper instructions.

If inspection proves cylinder is not defective and has been abused or otherwise damaged, any charges will be paid by original purchaser immediately after he has been notified of the result of KOYKER's inspection of the cylinder sent in for inspection.


Cylinders requiring factory repair more than one (1) year after sale to original purchaser, can be given to dealer for return to KOYKER with transportation charges prepaid. Leaks around the shaft seal and internal bypass leaks can be field repaired. Service kits are available for this repair.

SPECIFICATIONS

| | |
|--|--|
| Tractor Hydraulic Equipment needed..... | Two selective control valves required for loader and hydraulic bucket |
| Lift and Bucket Cylinders | Double acting |
| Bucket Control | Hydraulic – twin cylinder |
| Standard Bucket (Twin Cylinder) | 84" & 96" material |
| Deluxe Bucket | 84" |
| Bucket Cylinder Size – Twin | 2 1/2" x 18" |
| Total Weight with Twin Cylinder Material Bucket (Less Valve & Pump)..... | 1760 Pounds* |
| Breakaway Capacity (Load Tested) | 4530 Pounds* |
| Lift Capacity (Load Tested) | 4000 Pounds* |
| Lift Height | 133"; 153" high lift |
| Hydraulic System Capacity | Tractor system |
| Pump Capacity (Gallons/Minute, RPM) | Tractor system |
| Tractor Pressure Requirements: | Minimum flow of 12 gallons/minute @ 1500 P.S.I.; Maximum pressure @ 2500 P.S.I. varies with tractor oil reservoir and system capacity approximately 5 gallon |
| Optional equipment available | Teeth for 84" bucket; 84" deluxe bucket; Grapple forks; Q/T buckets 6', 7', and 8'; Joy stick valve |

*Dependent upon make, size, and model of tractor and safety of operation.

We reserve the right to change specifications without notice.



Do not use loader on tractors with hydraulic system output of more than 2,500 P.S.I. Failure to heed may result in serious injury or death.

3" HIGHLIFT CYLINDER PARTS LIST

| ITEM # | PART # | DESCRIPTION | QTY |
|--------|---------|-------------------------------------|-----|
| 1 | 650840 | 1 3/4" x 41 1/2" Cylinder Rod Ass'y | 1 |
| 2 | 10899 | 3" Cylinder gland | 1 |
| 3 | 640301 | Rod "O" Ring | 1 |
| 4 | 10057 | 3" Cylinder Piston | 1 |
| 5 | 79138-1 | Jam Nut | 1 |
| 6 | 650841 | 41 1/2" Cylinder Tube Ass'y | 1 |

COMPLETE CYLINDER PART NUMBER

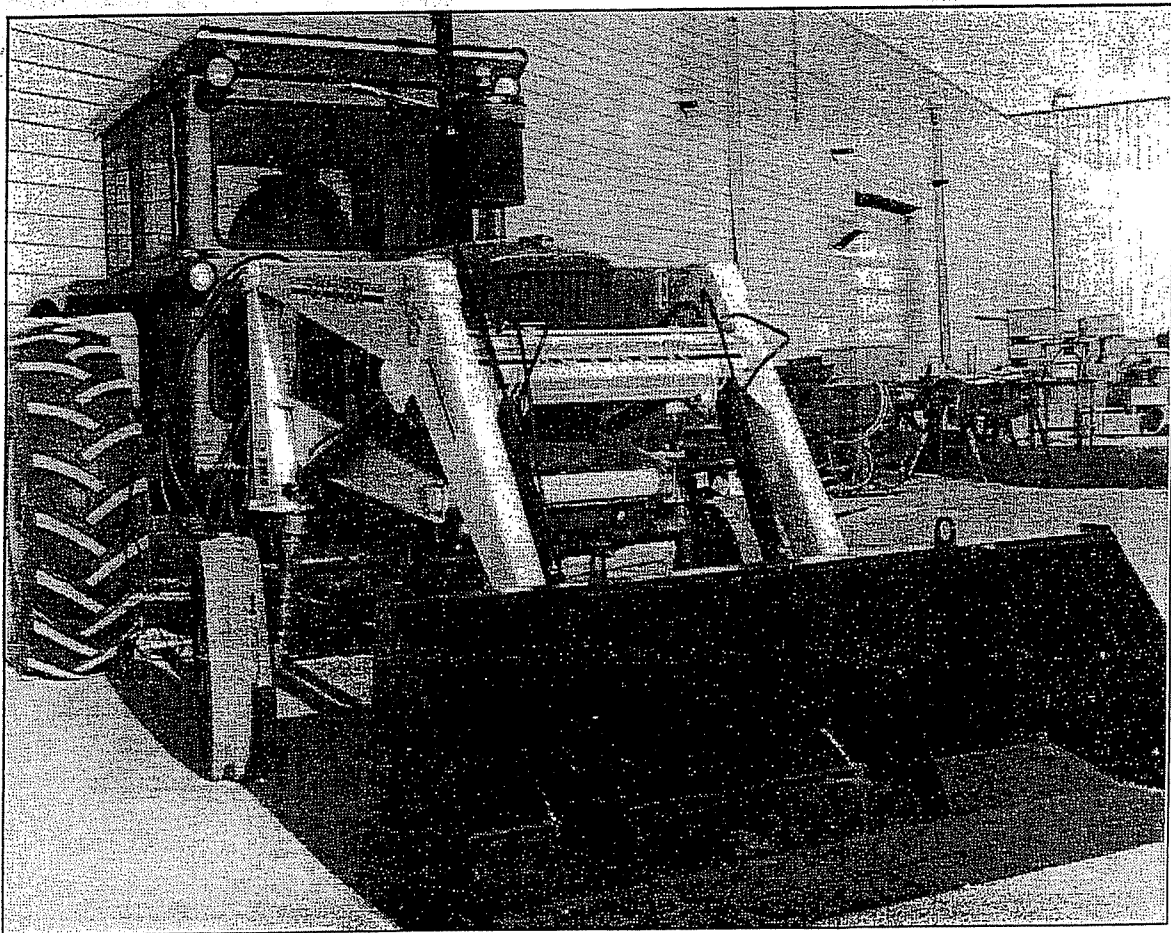
3" x 41 1/2"#650844

DESCRIPTION

The KOYKER "K-5" Farm Loader is operated by hydraulics. Both the lifting boom and the materials bucket have hydraulic cylinders. The loader is designed to operate with your existing tractor hydraulic system provided it will deliver the proper flows and pressure.

Be sure to check with your tractor dealer to make certain that your existing hydraulic system is adequate and designed for the constant operation required. On some makes of tractors, it is necessary to make setting adjustments on the control valves and the hydraulic system. Refer to your tractor manual or consult your dealer for the correct parts to use.

The KOYKER "K-5" Farm Loader is designed expressly for normal farm usage and not for jobs requiring industrial or construction grade equipment.



OPERATION

MOUNTING: The KOYKER K-5 Loader mounts to the tractor using the special mounting plate which is bolted to the tractor frame. Figure #1 shows a typical side frame mounting on a tractor with a cab.

Figure #2 shows a typical front mounting. Use bolts, nuts and washers provided.

Note: Refer to page 5 for the detailed mounting instructions for your make and model tractor. (Insert for K-5 mounting instructions.)



Figure #1

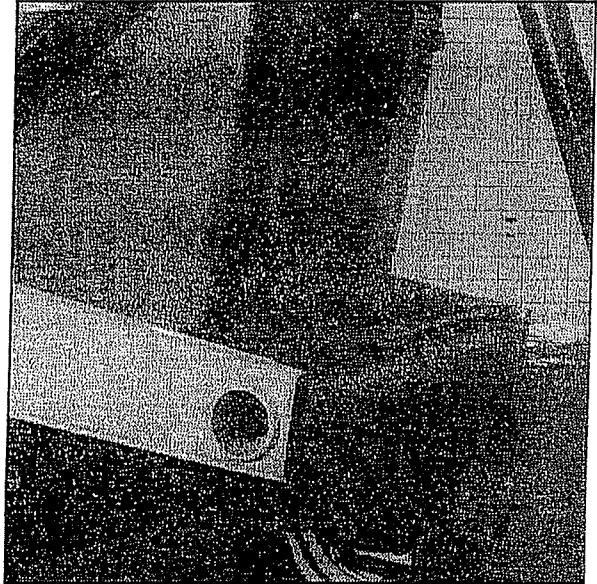


Figure #2

HOSE ATTACHMENTS: Turn to page 19 for the schematic layout of the tubing and hoses for the hookup of the hydraulic system. If you are using the tractor's hydraulic pump or valves, please refer to your tractor manual for proper port selection.



Make sure you keep all lines, cylinders, and complete hydraulic system free of all sand, dirt, and foreign matter. Use only clean oil in the hydraulic system. When removing the loader from your tractor, be sure to plug all open ports. If the loader will be out of service for several days or longer, grease the exposed polished piston shafts on the bucket and the lift cylinders.

TRACTOR & SAFETY POINTERS

The use of good judgement and common sense is necessary by the operator in using this loader. The front and rear wheels should be set for the widest wheel tread to assure best stability. Use extra caution when rear wheel weights and tire ballast are added to a loader-equipped tractor. **Do not** ram into frozen dirt piles, frozen manure piles, ice, etc., with great momentum where sudden shock loads are encountered. Serious and costly damage may result to both the loader and the tractor.

Do not use a bucket to scrape or as a dozer blade, unless the bucket is tilted so that the bucket stops are in contact with the boom. A limited amount of leveling may be done, when the loader valving is arranged with a float control. This will prevent damage to cylinder rods. Never ride the bucket.

Before operating the loader, be sure no one is standing near it. Only one person, the operator, should be on the tractor. Remain at the controls and under no circumstances leave the tractor unattended with the bucket in a raised position.

Never lift a person in the bucket or walk under a raised bucket.

Never drive your loader-equipped tractor down a hill that is steeper than 15 degrees. Carry all loads low and use care on side hills.

Always keep unused PTO shaft clutch levers disengaged.

Keep hands, feet, and clothing away from all moving parts.

Hydraulic oil, under pressure, can cause injury. Be sure that all connections are tight and that all pressure is relieved before disconnecting any lines.

Care must be taken with your loader cylinders. Nicks, scratches, rust, or other shaft damage can result in worn packing causing cylinder leakage and subnormal performance.

*** MOVE SLOWLY**

*** USE COMMON SENSE**

*** BE CAREFUL FOR YOUR OWN
SAKE AND THAT OF OTHER PEOPLE**

CONTROLS

The KOYKER K-5 Loader is designed to operate from the tractor hydraulic system. The tractor hydraulic system must have dual control valves to operate both the bucket cylinders and the lift cylinders. If only one valve is present, then optional control valves may be ordered.

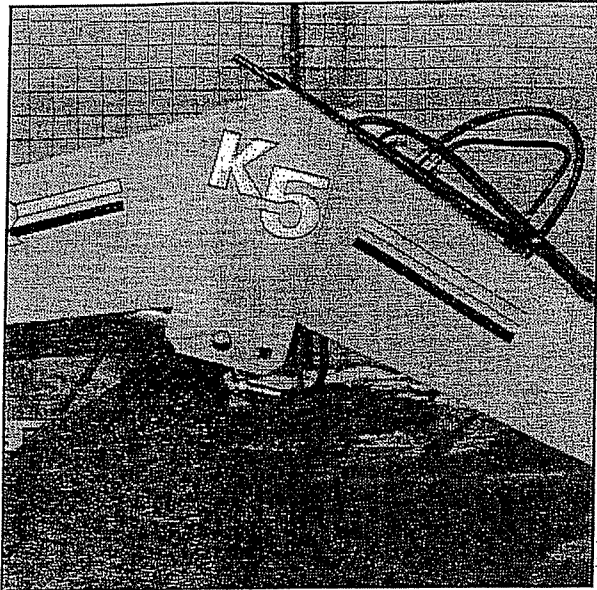
FILLING AND DUMPING THE BUCKET: When manure is piled on a slope, it is best to drive tractor up the slope straight into the pile. Operating sideways on a slope has a tendency to tip the loading unit. Drive tractor straight into the pile, raise the bucket about six inches, then drop bucket and drive forward until the bucket is filled. Tilt bucket completely back, raise main frame and back away from manure pile.

When dumping, bring the bucket to proper dumping height which is just high enough so it will not strike the spreader as the load is being dumped. With the bucket tipped, drive tractor forward and raise the bucket at the same time to distribute the load evenly into spreader or conveyance.

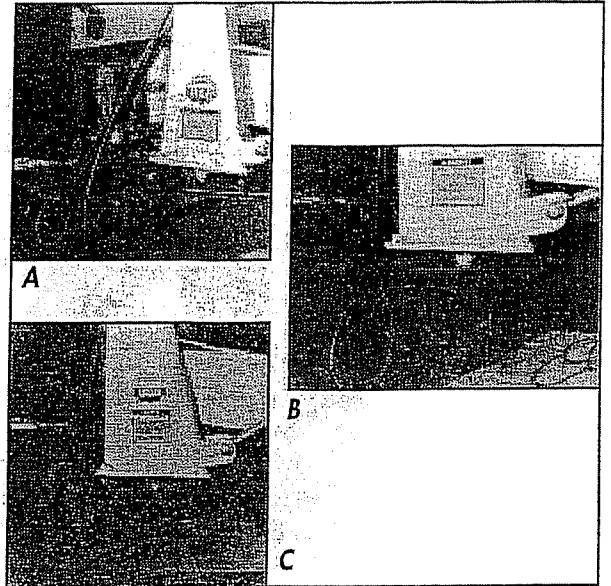


If this loader is equipped with a Grapple Fork, be sure Grapple teeth are closed before leaving seat of tractor.

DETACHING – ATTACHING THE K-5 LOADER



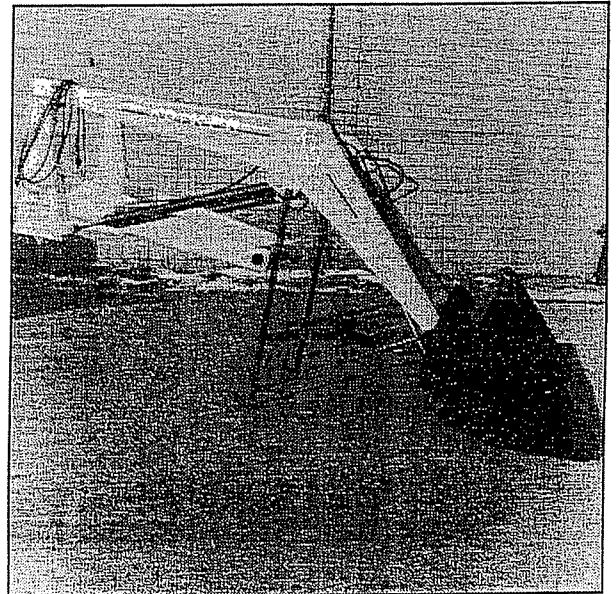
1. For best results, drive tractor with K-5 Loader mounted to reasonably level area. Raise loader up slightly and attach resting stands to the extra hole in the mainframe knee and at the point where the mainframe attaches to the bucket.



2. Remove two bolts from beneath each mounting frame upright platform. Re-screw the bolts back in the top of the hole to avoid losing the bolt.

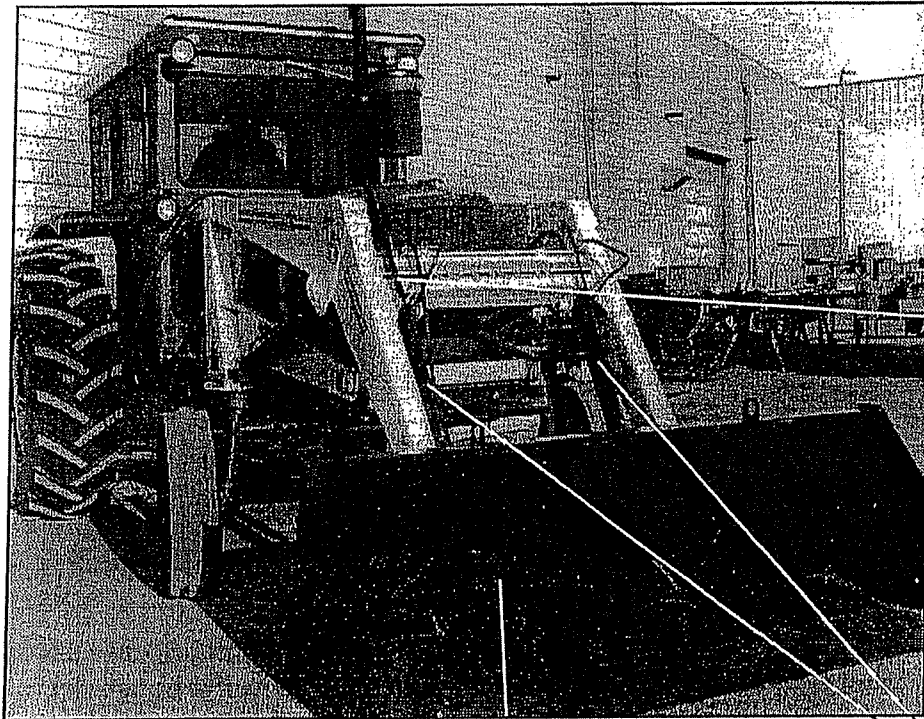


3. Use the tractor hydraulics to lift the loader mainframe sufficiently so it will clear any tractor obstructions. Flatten bucket against the ground. Then uncouple hydraulic hoses and back out of the K-5 Loader. Store the hydraulic couplings properly to prevent dirt from getting into system.



4. To attach, enter and hookup merely by reversing the process. As in any other piece of equipment, care should be used until the operator becomes familiar with the mounting and dismounting procedure.

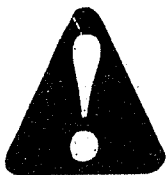
LUBRICATION



Depth control.

*Grease daily
when in use.*

Twin cylinders.



*Never attempt to clean, oil, or adjust a machine
while in motion.*

Grease fittings are provided at all points indicated on above lubrication chart. All grease fittings should be lubricated as indicated with SAE multi-purpose-type grease. If any grease fittings are missing, replace them immediately. Clean the fittings thoroughly before using grease gun. Severe or unusual conditions may require more frequent lubrication. If loader is going to be stored for any length of time, coat all exposed portions of the lifting and bucket cylinder rams with grease.

CYLINDERS

IMPORTANT: Read these service tips *before* beginning assembly of cylinder gland or piston.

1. Keep seals clean from the time they are removed from package until they are installed.
2. Clean the groove or bore into which the seal is to be fitted before installing the seal.
3. Never touch the seal lip in handling. Always pick up the seal by its outer member.
4. Inspect each seal lip carefully for nicks, scratches, and dirt at time of installation. If dirty, use a soft, clean cloth and *carefully* wipe off seal. **DO NOT** wipe seal with fingers, this only imbeds dirt in the seal.



NEVER clean rubber related seals with a mineral based solvent! Clean rubber seals in denatured alcohol or non-mineral based solvents only.

NOTE: Seals can be made more pliable and easier to install, if first heated in hydraulic oil to 160°F. Never use direct heat on any seals.

2 1/2" CYLINDER SERVICE KITS

KIT NO. 1A: Complete kit with all seals needed to service (1) 2 1/2" Cylinders.

| | | |
|--------|------------------------------|---------|
| 1 each | 2 1/2" Gland "O" Ring | #640865 |
| 1 each | 2 1/2" Backup Ring | #640381 |
| 1 each | 1 1/2" EZ-Squeeze Seal | #640383 |
| 1 each | 1 1/2" Rod Wiper | #640386 |
| 2 each | 2 1/2" EZ-Squeeze Seal | #640384 |
| 1 each | 1" Rod "O" Ring | #640301 |

KIT NO. 2A: Complete assembled 2 1/2" Cylinder Gland with all seals. Consists of:

| | | |
|--------|------------------------------|---------|
| 1 each | 2 1/2" Aluminum Gland | #10034 |
| 1 each | 2 1/2" Gland "O" Ring | #640865 |
| 1 each | 2 1/2" Backup Ring | #640381 |
| 1 each | 1 1/2" EZ-Squeeze Seal | #640383 |
| 1 each | 1 1/2" Rod Wiper | #640386 |

KIT NO. 3A: Complete assembled 2 1/2" Cylinder Piston with all seals. Consists of:

| | | |
|--------|------------------------------|---------|
| 1 each | 2 1/2" Aluminum Piston | #10035 |
| 2 each | 2 1/2" EZ-Squeeze Seal | #640384 |
| 1 each | 1" Rod "O" Ring | #640301 |

KIT NO. 4A: All seals needed to service (1) 2 1/2" Cylinder Gland. Consists of:

| | | |
|--------|------------------------------|---------|
| 1 each | 2 1/2" Gland "O" Ring | #640865 |
| 1 each | 2 1/2" Backup Ring | #640381 |
| 1 each | 1 1/2" EZ-Squeeze Seal | #640383 |
| 1 each | 1 1/2" Rod Wiper | #640386 |

KIT NO. 5A: All seals needed to service (1) 2 1/2" Cylinder Piston. Consists of:

| | | |
|--------|------------------------------|---------|
| 2 each | 2 1/2" EZ-Squeeze Seal | #640384 |
| 1 each | 1" Rod "O" Ring | #640301 |

3" CYLINDER SERVICE KITS WITH 1³/₄" SHAFT

KIT NO. 1C: Complete kit with all seals needed to service one (1) 3" Cylinder. Consists of:

| | | |
|--------|---|---------|
| 1 each | 3" Gland "O" Ring | #640866 |
| 1 each | 3" Backup Ring | #640382 |
| 1 each | 1 ³ / ₄ " EZ Squeeze Seal | #85488 |
| 1 each | 1 ³ / ₄ " Rod Wiper..... | #85487 |
| 2 each | 3" EZ Squeeze Seals | #840385 |
| 1 each | 1" Rod "O" Ring | #640301 |

KIT NO. 2C: Complete assembled 3" Cylinder Gland with all seals. Consists of:

| | | |
|--------|---|---------|
| 1 each | 3" Aluminum Gland | #10899 |
| 1 each | 3" Gland "O" Ring..... | #640866 |
| 1 each | 3" Backup Ring | #640382 |
| 1 each | 1 ³ / ₄ " EZ Squeeze Seal | #85488 |
| 1 each | 1 ³ / ₄ " Rod Wiper..... | #85487 |

KIT NO. 3C: Complete assembled 3" Cylinder Piston with all seals. Consists of:

| | | |
|--------|--------------------------|---------|
| 1 each | 3" Aluminum Piston | #10057 |
| 2 each | 3" EZ Squeeze Seals..... | #640385 |
| 1 each | 1" Rod "O" Ring | #640301 |

KIT NO. 4C: All seals needed to service one (1) 3" Cylinder Gland. Consists of:

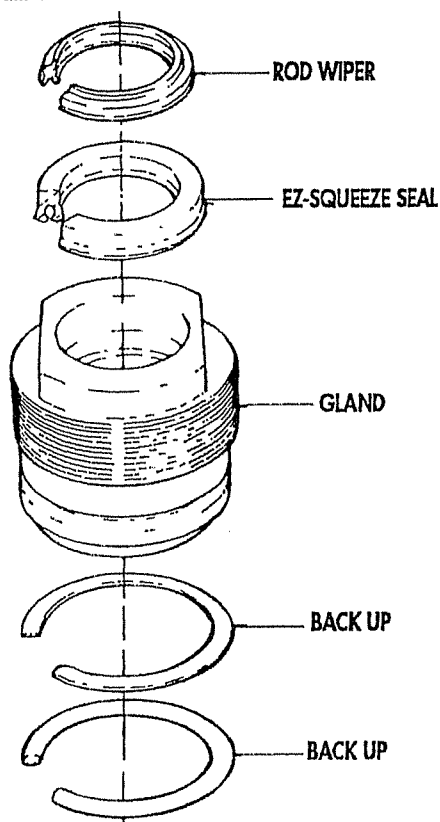
| | | |
|--------|---|---------|
| 1 each | 3" Gland "O" Ring | #640866 |
| 1 each | 3" Back Ring | #640382 |
| 1 each | 1 ³ / ₄ " EZ Squeeze Seal | #85488 |
| 1 each | 1 ³ / ₄ " Rod Wiper..... | #85487 |

KIT NO. 5C: All seals needed to service one (1) 3" Cylinder Piston. Consists of:

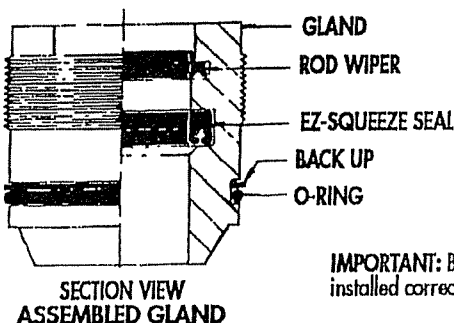
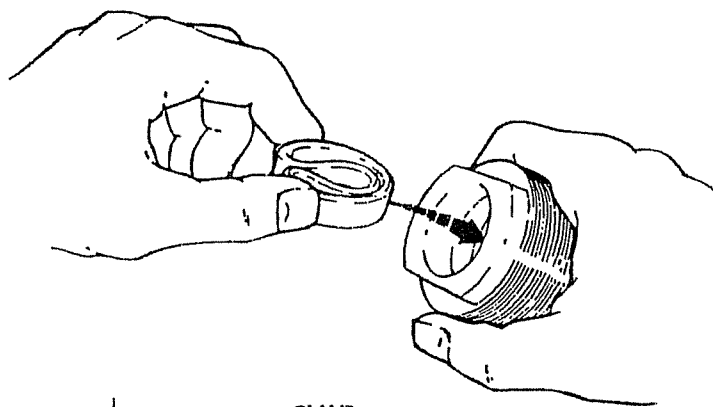
| | | |
|--------|---------------------------|---------|
| 2 each | 3" EZ Squeeze Seals | #640385 |
| 1 each | 1" Rod "O" Ring | #640301 |

CYLINDER GLAND SERVICE DIAGRAM

All gland seal shown with a section removed to facilitate correct installation.

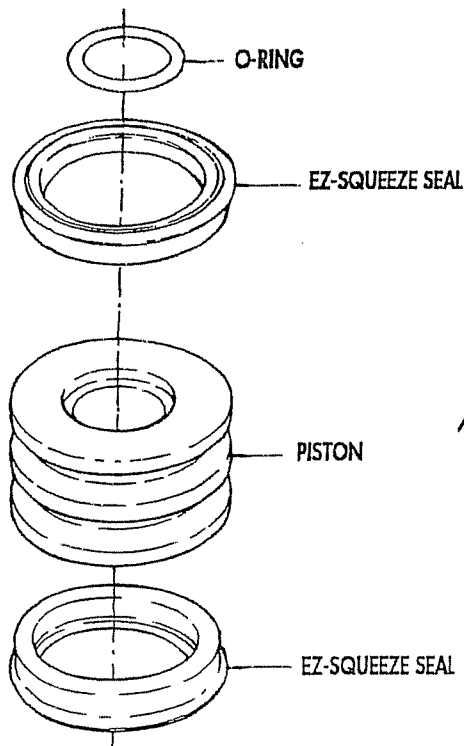


NOTE: To install rod wiper and EZ-Squeeze seal, fold similar to shape shown below, slip into gland bore and locate each in its respective groove. If tools are used to fold seals take care not to damage sealing surfaces.



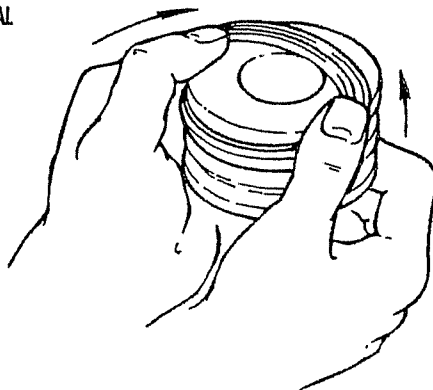
IMPORTANT: Be sure all gland and piston seals have been installed correctly before cylinder is assembled.

CYLINDER PISTON SERVICE DIAGRAM



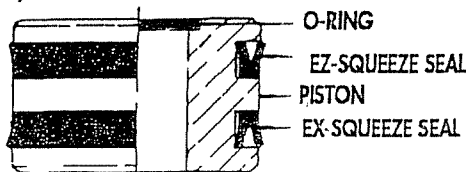
TO REMOVE SEALS:

Carefully cut across each seal with a sharp knife. Be sure not to scratch sealing surfaces of aluminum piston. If a sharp knife is not available, an electric soldering gun or hot iron may be used to melt through seals.



TO INSTALL SEALS:

1. Thoroughly clean piston sealing surfaces of all foreign matter.
2. Heat new seals in hydraulic oil to 160°F. Never use a direct flame or heated water on hydraulic seals.
3. Remove seals from oil, wipe dry and install in piston grooves as shown in illustration at left. Be sure seal is completely seated in piston grooves before allowed to cool.
4. Replace piston on cylinder shaft and assemble cylinder when seals have cooled to room temperature.

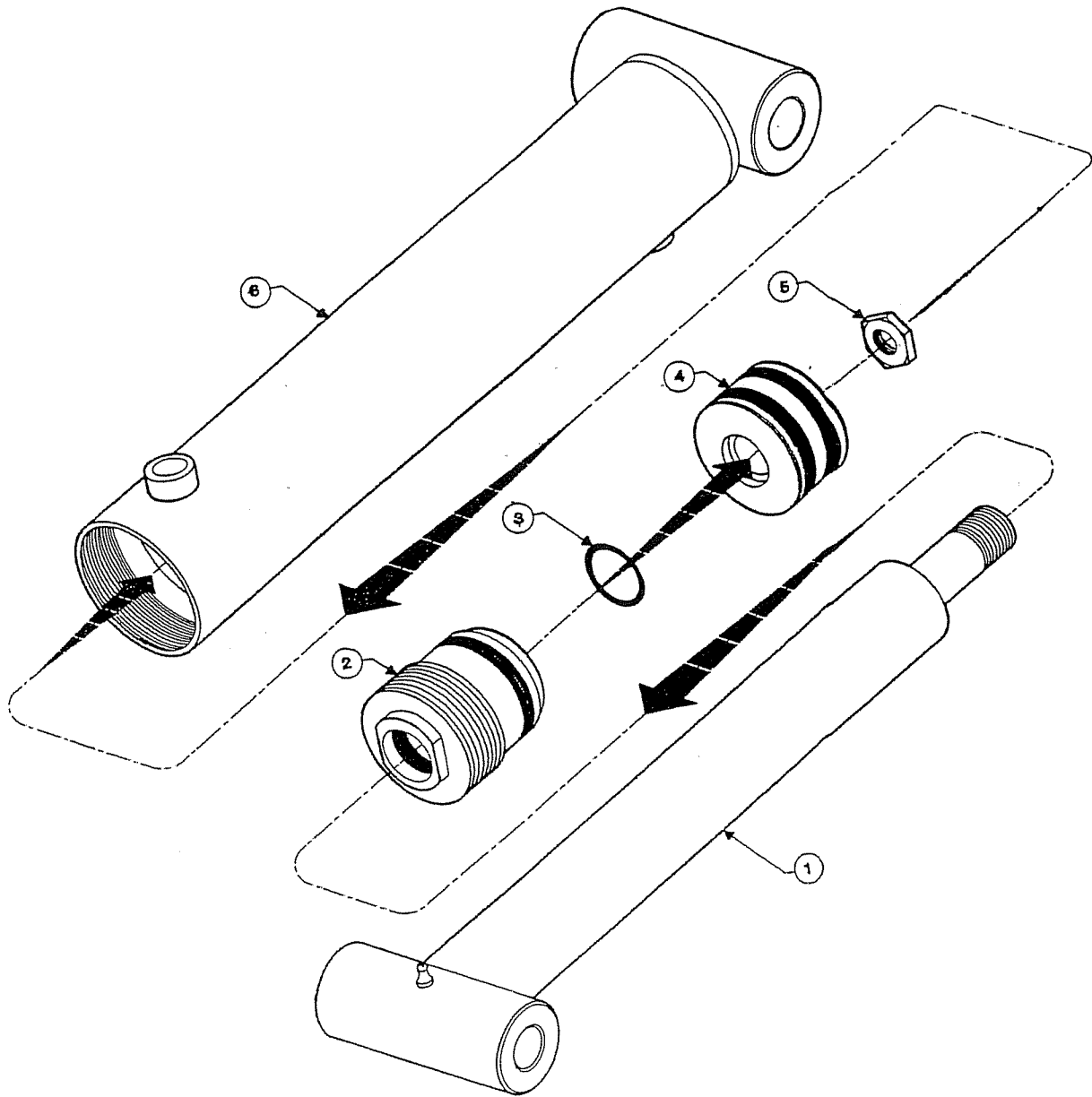


SECTION VIEW ASSEMBLED GLAND

KOYKER HYDRAULIC CYLINDER

ASSEMBLY DIAGRAM

REVISED 2/25/86



KOYKER HYDRAULIC CYLINDER

PARTS LIST

2 1/2" CYLINDER PARTS

| PART NO. | DESCRIPTION | QTY. |
|----------|--|------|
| 10010 | Shaft Ass'y - Cyl Hyd *1.5 x 37" (lift) | 1 |
| 10137 | Shaft Ass'y - Cyl Hyd *1.5 x 18 (bucket) | 1 |
| 10058 | Tube Ass'y - Cyl *2.5 x 40.375 (lift) | 1 |
| 10136 | Tube Ass'y - Cyl *2.5 x 21.375 (bucket) | 1 |
| 640301 | Seal, "O" Ring 1.0 Duro 70 | 1 |
| 79138-1 | Nut, Lock *1" thin height, UNS | 1 |
| 640605 | Zerk, Drive .25 (#1813) | 2 |
| 651458 | Piston Ass'y - Hyd cylinder *2.5" | 1 |
| 651457 | Gland Ass'y - Hyd Cylinder *2.5" | 1 |

3" CYLINDER PARTS

| PART NO. | DESCRIPTION | QTY. |
|----------|---------------------------------------|------|
| 650840 | Shaft Ass'y - Cyl *1.75 X 43.5 | 1 |
| 650841 | Tube Ass'y - Cyl *3.0 x 44.75 | 1 |
| 640301 | Seal, "O" Ring 1.0 Duro 70 | 1 |
| 79138-1 | Nut, Lock *1" thin height, UNS | 1 |
| 640605 | Zerk, Drive .25 (#1813) | 2 |
| 651538 | Gland Ass'y - 3.0 Hyd Cyl *1.75 shaft | 1 |
| 651537 | Piston Ass'y - Hyd Cylinder *3" | 1 |

COMPLETE CYLINDER PART NUMBERS FOR K-5 ONLY

| PART NO. | DESCRIPTION |
|----------|--|
| 10135 | Cyl Ass'y - Hyd *2.5 x 18 (bucket) |
| 10003 | Cyl Ass'y - Hyd *2.5 x 37 (lift) |
| 650844 | Cyl Ass'y - 3.0" x 39.25" - Hi Lift (lift) |

HYDRAULICS

The hoses from the tractor valves are attached to the oil lines which are on the inside of the loader main frame. The pipes and fittings on the inside of the main frame may be moved to the other side for more convenient connections.

Re-check all joints to prevent leakage after loader is mounted and in operation.

USE: DTE Light Hydraulic Oil viscosity 150 SSU.

KEEP SYSTEM CLEAN – USE ONLY CLEAN OIL



CAUTION! *It is of utmost importance that the hydraulic system of this loader be kept free from dirt and foreign matter.*

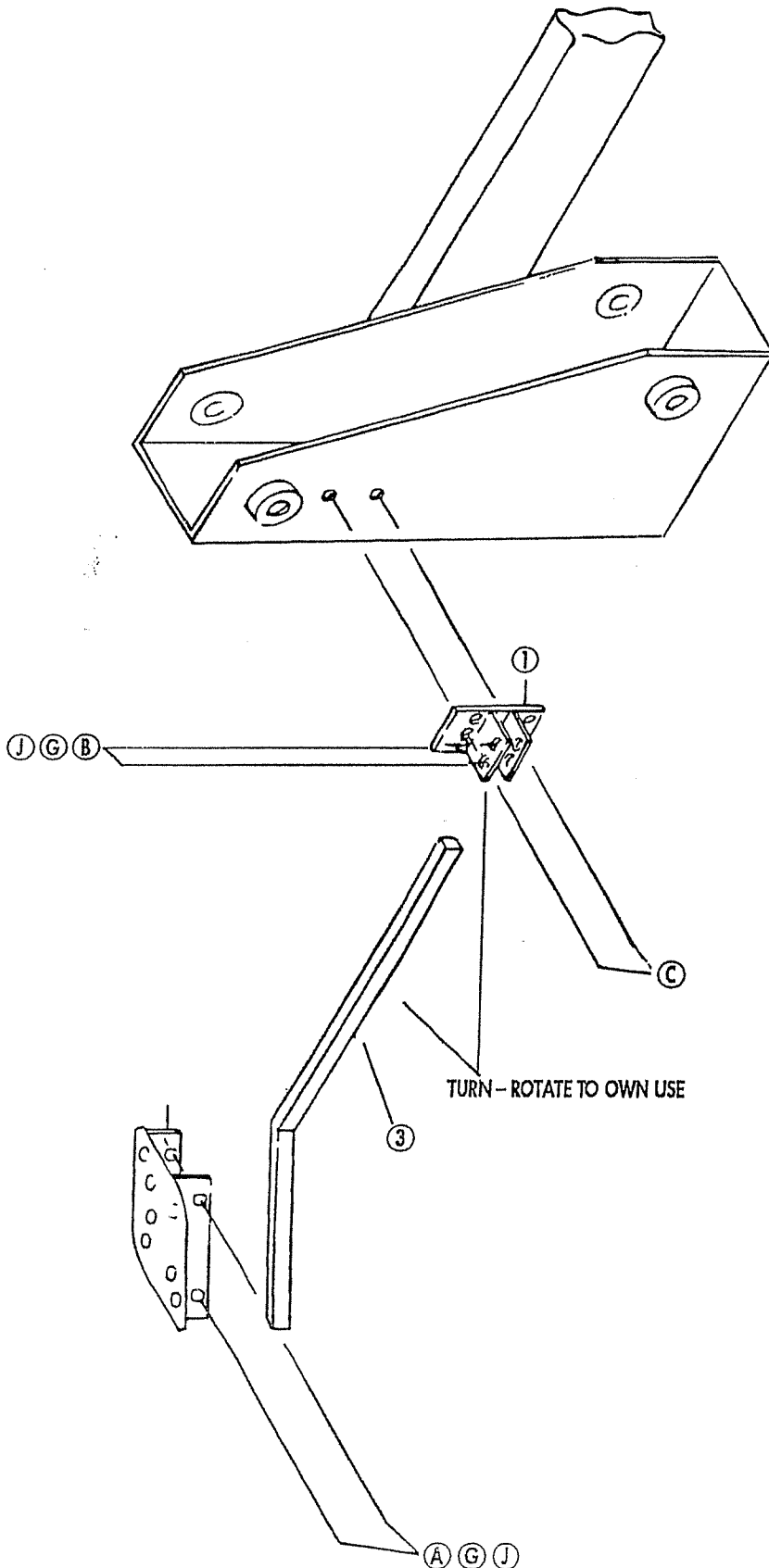
All internal parts of the hydraulic system of your loader have been carefully cleaned, inspected, and plugged with protective caps before shipment. All protective caps should be kept in place until the hydraulic system is connected.

NOTE: *Over 75 percent of all hydraulic failure and service is caused by dirt, etc. in the system.*

REMEMBER – CLEAN OIL MEANS LONGER LIFE!

ADJUSTABLE LOADER VALVE MOUNTING KIT

WARNING!
Do Not Cover Up Warning Decals!



#489 HARDWARE BAG

- A. 2 Ea. 3/8" x 2-1/2" N.C. Carriage Bolt
- B. 2 Ea. 3/8" x 3" N.C. Carriage Bolt
- C. 2 Ea. 3/8" x 1" N.C. Thread Cutting Screw
- D. 3 Ea. 3/8" x 2" N.C. Hex Head Bolt
- E. 4 Ea. 5/16" x 3/4" N.F. Hex Head Bolt
- F. 2 Ea. 1/4" x 2" N.C. Hex Head Bolt
- G. 9 Ea. 3/8" Lockwashers
- H. 4 Ea. 5/16" Lockwashers
- I. 2 Ea. 1/4" Lockwashers
- J. 7 Ea. 3/8" N.C. Hex Nuts
- K. 2 Ea. 1/4" N.C. Hex Nuts

#651750 ADJUSTABLE LOADER VALVE MOUNTING KIT

- 1. 1 Ea. #651740 Valve Bracket Assembly
- 2. 1 Ea. #651743 Upright Clamp Assembly
- 3. 1 Ea. #651744 Valve Bracket Tube
- 4. 1 Ea. #489 Hardware Bag
- 5. 1 Ea. Instruction Sheet

KOYKER K-5 LOADER PARTS LIST

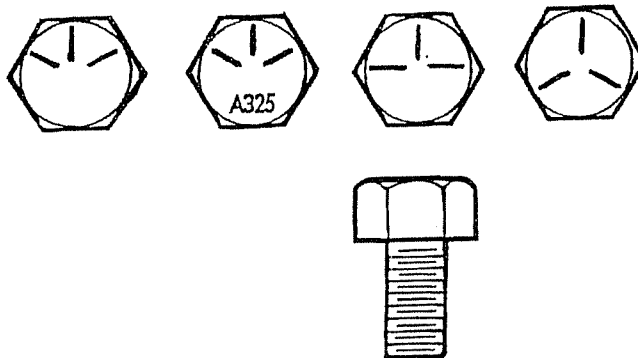
| REFERENCE NO. | PART NO. | DESCRIPTION | QTY. |
|---|----------|---|--------------|
| 1 | 640924 | Main Frame | 1 |
| 2 | 7602 | Wrap-Around Assembly | 1 |
| 3 | 10003 | Lift Cylinder | 2 |
| 4 | 650844 | High-Lift Cylinder (optional) | 2 |
| 5 | 10135 | Bucket Cylinder | 2 |
| 6 | 7605L | Loader Stand Ass'y. LH | 1 |
| 7 | 7605R | Loader Stand Ass'y. RH | 1 |
| 8 | 7614 | Bucket Pivot Pin | 2 |
| 9 | 6505 | Main Frame Pivot Pin | 2 |
| 10 | 7637-5 | Bucket Cylinder Pivot Pin | 4 |
| 11 | 7637 | Bucket Ass'y - K5 *84" Standard | 1 |
| 12 | 7655 | Bucket Ass'y - K5 *96" Standard (optional) | 1 |
| 13 | 7690 | Bucket Ass'y - K5 *84" Deluxe (optional) | 1 |
| 14 | 76145 | K5 Logo Decal | 2 |
| 15 | 651882 | Decal - Loader Stripe *12" | 2 |
| 16 | 651883 | Decal - "KOYKER" Ldr *Universal | 3 |
| 17 | 651546 | Decal - USA Product (goes on uprights) | 2 |
| 18 | 7903 | Line Insulator *4 PC | 8 |
| 19 | 7739 | Clamp - Wavy Oil Line *4 PC | 4 |
| 20 | 7971 | 1/4" x 1 1/4" Socket Head Cap Screw | 8 |
| 21 | 76171 | Oil Line - #1 Complete Ass'y | 1 |
| 22 | 76172 | Oil Line - #2 Complete Ass'y | 2 |
| 23 | 76173 | Oil Line - #3 Complete Ass'y | 1 |
| 24 | 6503 | 17" Bucket Teeth (optional) | 7'-9; 8'-10 |
| 25 | 6503L | 23" Bucket Teeth (optional) | 7'-9; 8'-10 |
| 26 | 79146 | 1/2" x 2 1/2" NC Plow Bolt (optional) | 7'-18; 8'-20 |
| 27 | 640157 | 1/2" Lockwasher (optional) | 7'-18; 8'-20 |
| 28 | 640139 | 1/2" Hex Nut (optional) | 7'-18; 8'-20 |
| 29 | 640108 | 3/4" x 5 3/4" Special Carriage Bolt | 4 |
| 30 | 640097 | 3/4" x 2" NC Hex Cap Screw | 4 |
| 31 | 640145 | 3/4" Lock Nut with Nylon Insert | 4 |
| 32 | 651703 | 1/4" N.C. x 2" Bolt | 4 |
| 33 | 640126 | 1/4" Locknut | 4 |
| 34 | 640021 | Bolt - HH Cap - 5/16" x 2 1/4" | 2 |
| 35 | 640605 | 1/4" Grease Zerk | 4 |
| 36 | 640128 | 5/16" Locknut | 4 |
| 37 | 640020 | 5/16" x 2" HH Cap Screw | 2 |
| 38 | 652700 | Bucket Ass'y - K5 * 72" Standard (optional) | 1 |
| OPTIONAL QUICK ATTACH BUCKETS & SPEAR PARTS LIST | | | |
| 38 | 650345 | 6' Bucket Ass'y | 1 |
| 39 | 650346 | 7' Bucket Ass'y | 1 |
| 40 | 650347 | 8' Bucket Ass'y | 1 |
| 41 | 651319 | QA Bucket Adapter *K5 Bundle | 1 |
| 42 | 650386 | Pin - Spear Latch | 2 |
| 43 | 650388 | Spring - .125" Wire x 4" *1.0625 ID | 2 |
| 44 | 650390 | Washer Loader Pin | 2 |
| 45 | 640325 | Roll Pin - .438" x 3" | 3 |
| 46 | 650389 | Pin - Spring *.25" x 1.5" | 2 |
| 47 | 640246 | Hitch Pin - #6 | 2 |



Note: The fasteners provided to attach the loader mounts are of a grade #5 quality or better. Use only this grade of fasteners. Failure to do so may result in damage to the loader and/or tractor to which it is mounted.

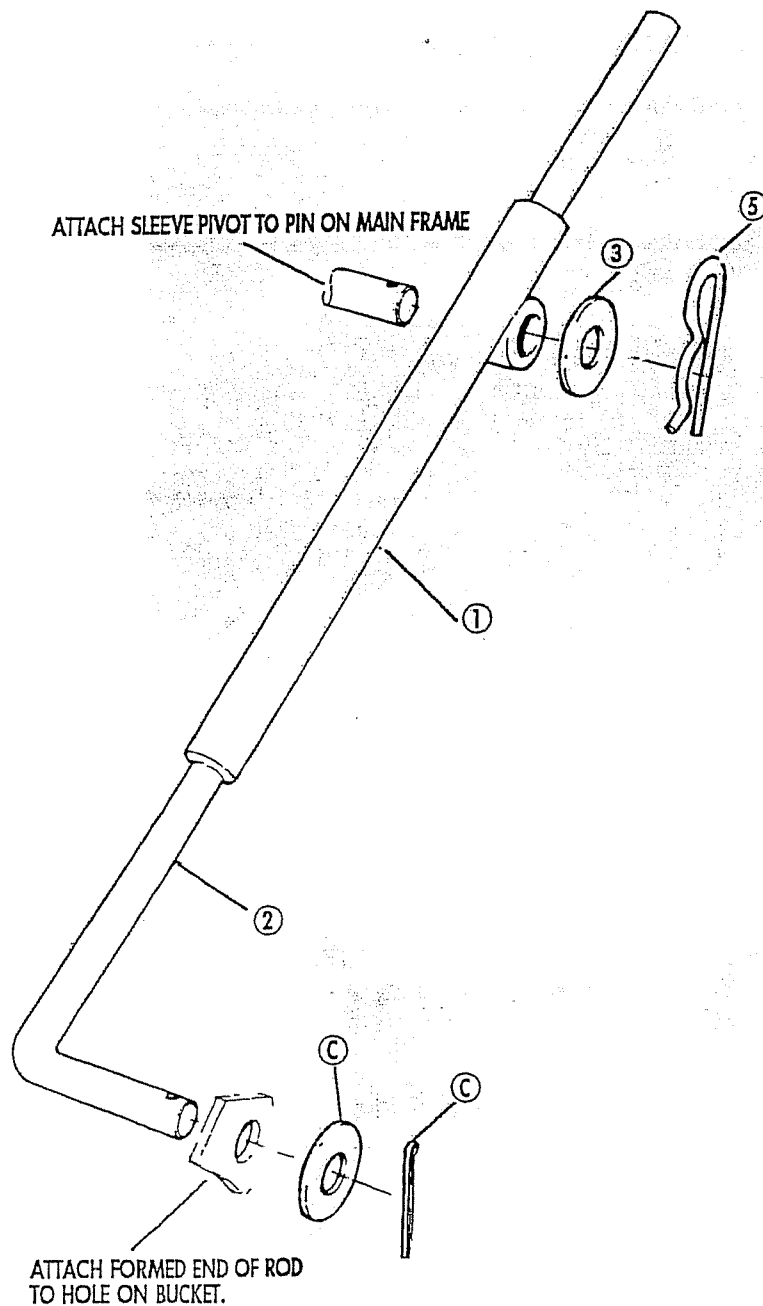
The following chart gives the recommended torque values for tightening threaded fasteners.

| FASTENER SIZE | TORQUE WRENCH SETTING IN FT. LBS. FOR GRADE #5 FASTENERS |
|---------------|--|
| 1/4" | 10 |
| 5/16" | 20 |
| 3/8" | 35 |
| 7/16" | 55 |
| 1/2" | 85 |
| 9/16" | 130 |
| 5/8" | 170 |
| 3/4" | 300 |



Three (3) marks on the head of fastener indicates that it is a grade #5 series fastener.

ASSEMBLY INSTRUCTIONS: K-5 BUCKET POSITION INDICATORS

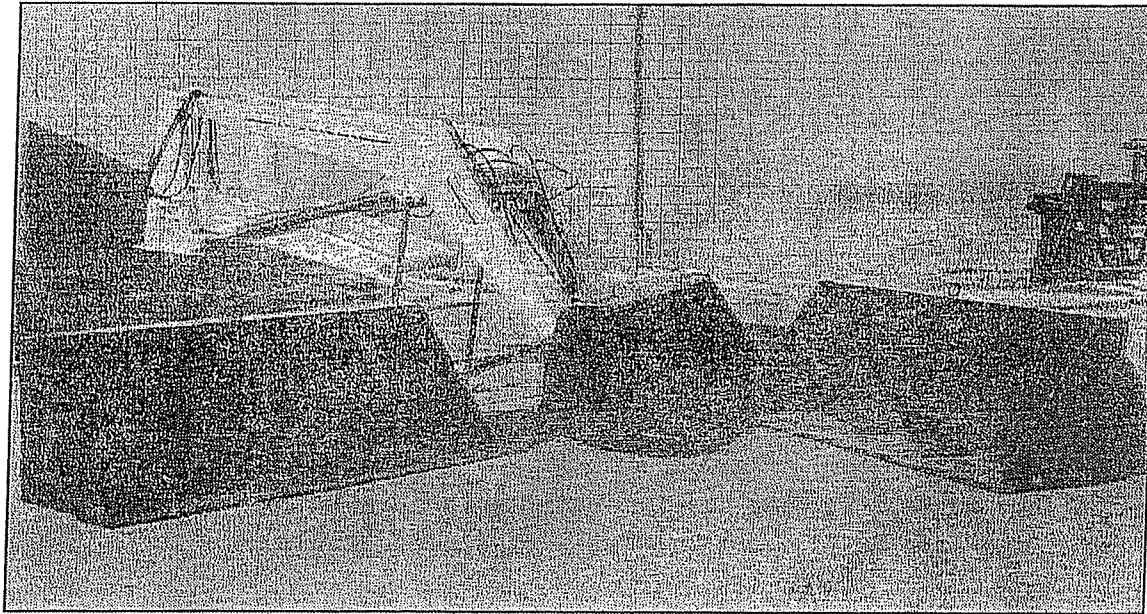


NOTE: After installation of Indicator, level bucket with ground, insuring that both tractor and bucket are on even surface. The portion of rod extending beyond indicator, should either be painted with a contrasting color of paint or cut off flush to indicate the position of bucket when level.

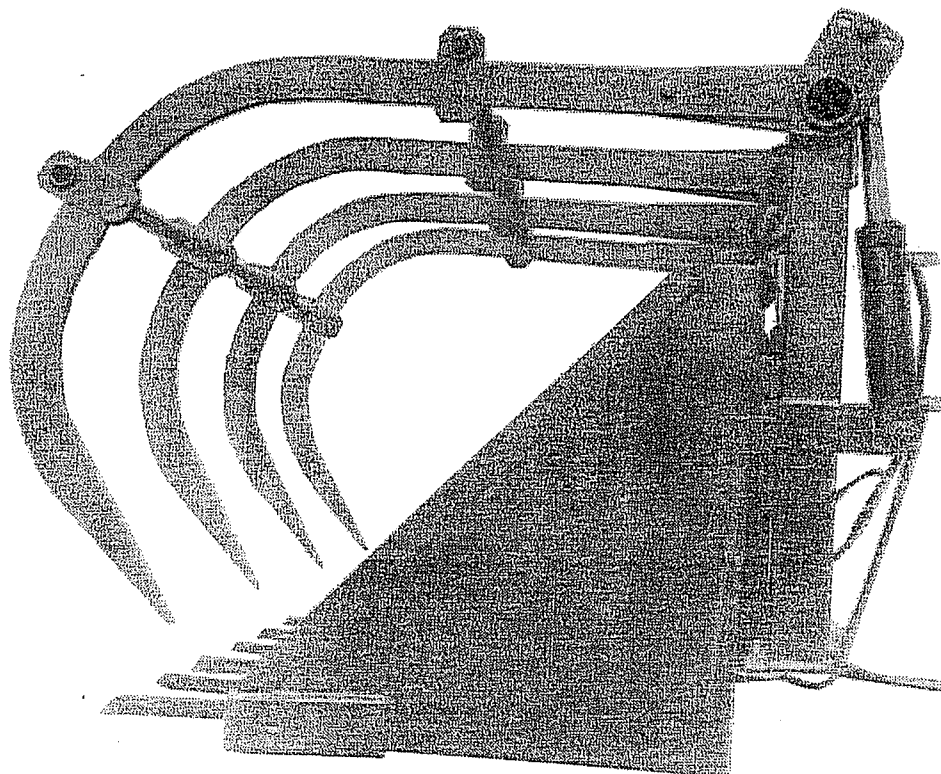
K-5 BUCKET INDICATOR PARTS LIST

| REFERENCE | PART # | DESCRIPTION | QTY |
|-----------|--------|---------------------------|-----|
| 1 | 7631 | Indicator Sleeve Assembly | 1 |
| 2 | 7658 | Indicator Rod | 1 |
| 3 | N.P. | 5/8" Flat Washer | 2 |
| 4 | N.P. | 3/16" x 1 1/2" Cotter Key | 1 |
| 5 | N.P. | #6 Hitch Pin Clip | 1 |

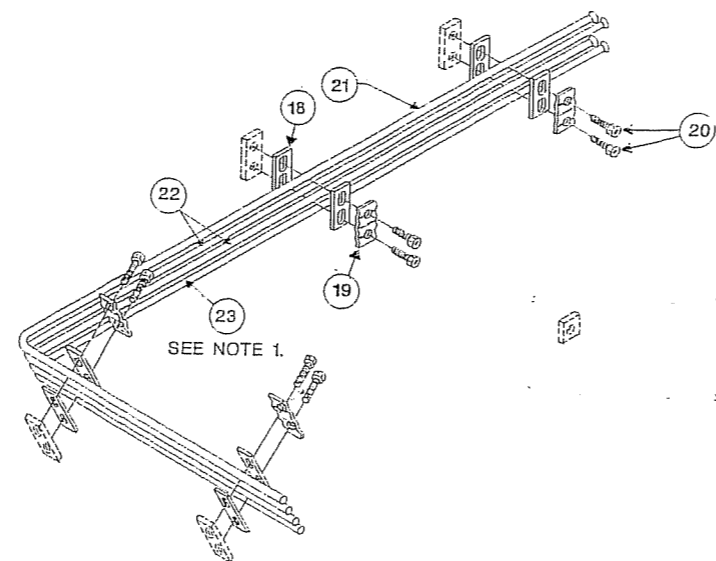
OPTIONAL EQUIPMENT



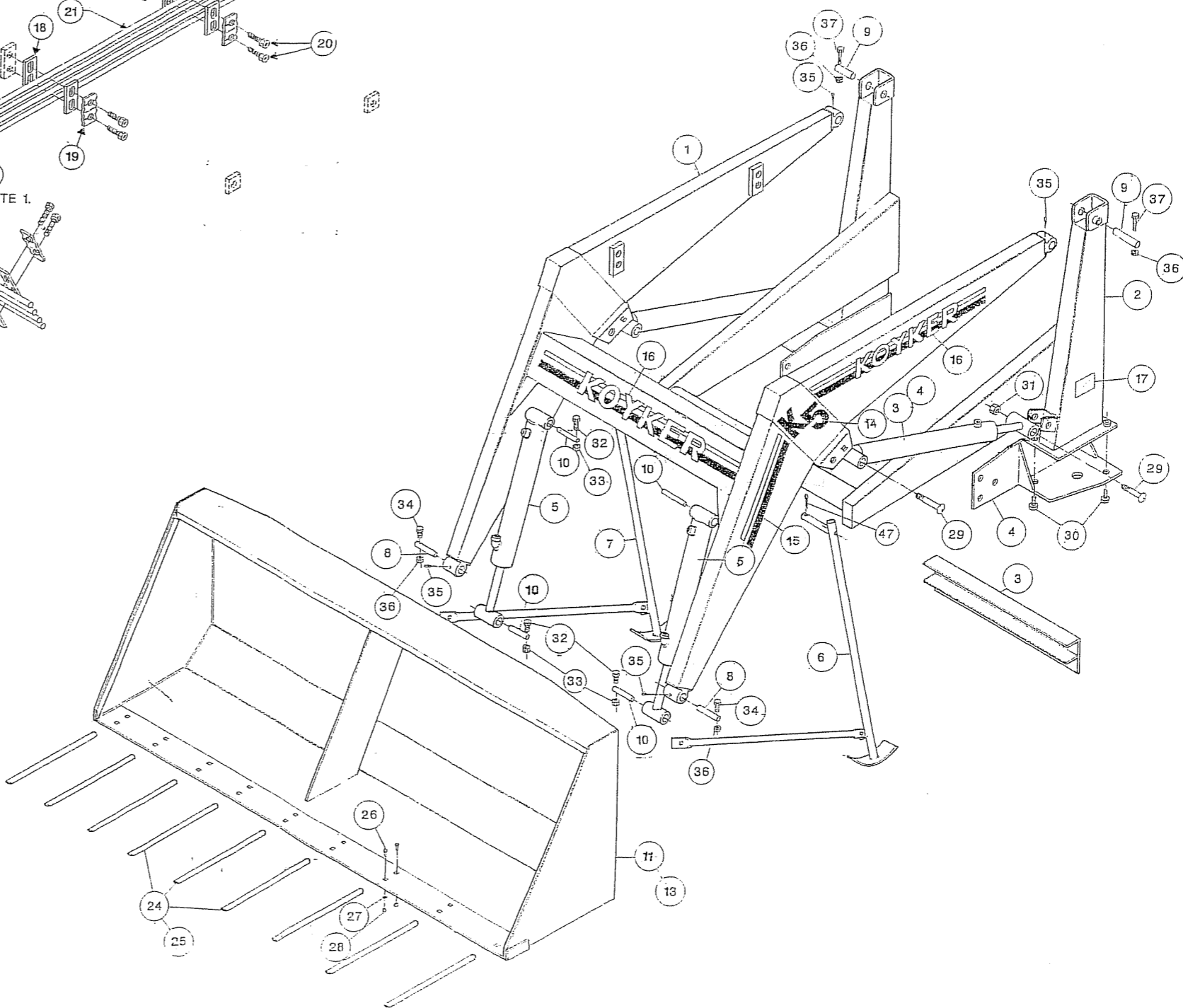
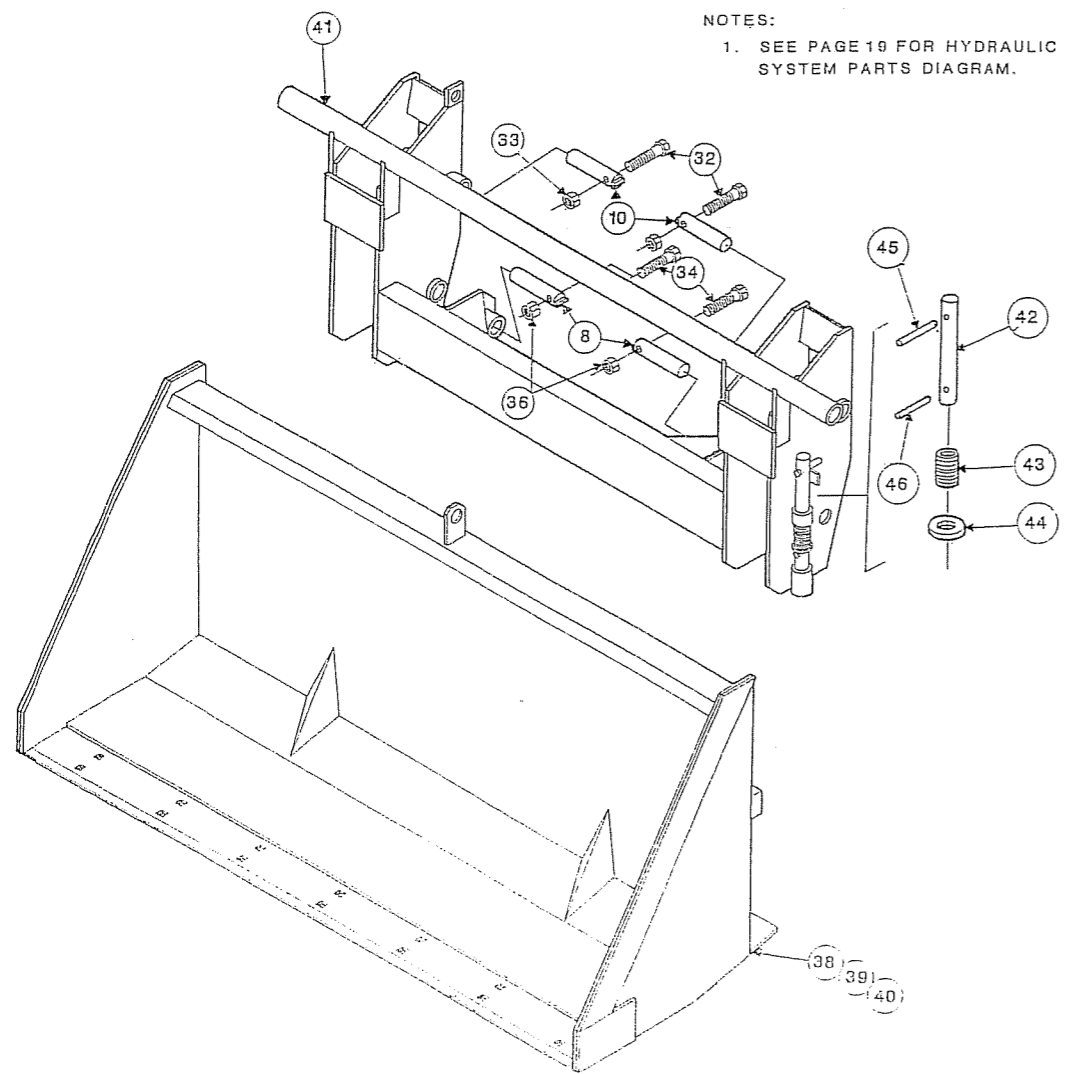
84" DELUXE BUCKET



GRAPPLE FORK



NOTES:
 1. SEE PAGE 19 FOR HYDRAULIC SYSTEM PARTS DIAGRAM.

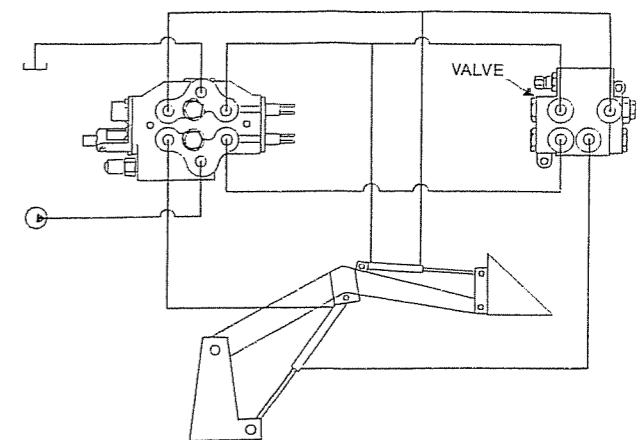


PARTS IDENTIFICATION SCHEDULE

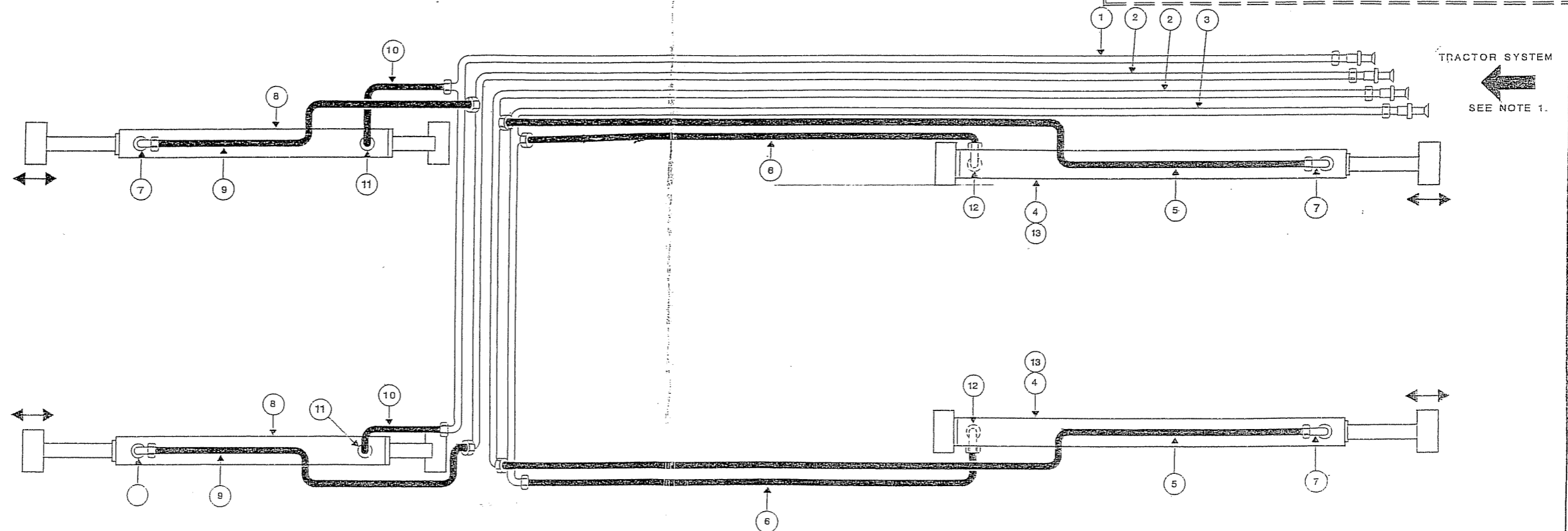
| REF. NO. | PART NO. | DESCRIPTION | QTY. |
|----------|----------|---------------------------|------|
| 1 | 76171 | #1 OIL LINE ASSEMBLY | 1 |
| 2 | 76172 | #2 OIL LINE ASSEMBLY | 2 |
| 3 | 76173 | #3 OIL LINE ASSEMBLY | 1 |
| 4 | 10003 | LIFT CYLINDER | 2 |
| 5 | 76176 | 57" HYDRAULIC HOSE | 2 |
| 6 | 7414 | 18" HYDRAULIC HOSE | 2 |
| 7 | 7965 | 90° ELBOW (O-RING, JIC) | 4 |
| 8 | 10135 | BUCKET CYLINDER | 2 |
| 9 | 76155 | 42" HYDRAULIC HOSE | 2 |
| 10 | 76154 | 26" HYDRAULIC HOSE | 2 |
| 11 | 79151 | CONNECTOR (O-RING, JIC) | 2 |
| 12 | 641429 | 45° ELBOW (O-RING, JIC) | 2 |
| 13 | 650844 | HIGH LIFT CYLINDER (OPT.) | 2 |

SELF-LEVEL VALVE KIT PARTS

| PART NUMBER | DESCRIPTION | QTY. |
|-------------|----------------------------------|------|
| 650867 | SELF-LEVEL VALVE | 1 |
| 650865 | VALVE BRACKET | 1 |
| 7966 | 37° JIC M-M-M TEE | 2 |
| 640019 | 5/16" X 1-1/2" NC HEX SCREW | 2 |
| 640151 | 5/16" LOCKWASHER | 2 |
| 640129 | 5/16" NC HEX NUT | 2 |
| 79142 | 3/8" X 3/4" THREAD CUTTING SCREW | 3 |



SELF-LEVEL VALVE KIT DIAGRAM (OPTIONAL)



NOTES:

1. IT IS RECOMMENDED YOU PURCHASE FROM YOUR DEALER THE MAKE AND STYLE OF QUICK COUPLERS COMPATIBLE WITH YOUR TRACTOR. HOSES TO CONNECT THE TRACTOR SYSTEM TO THE LOADER ARE ALSO REQUIRED AND ARE NOT FURNISHED.